

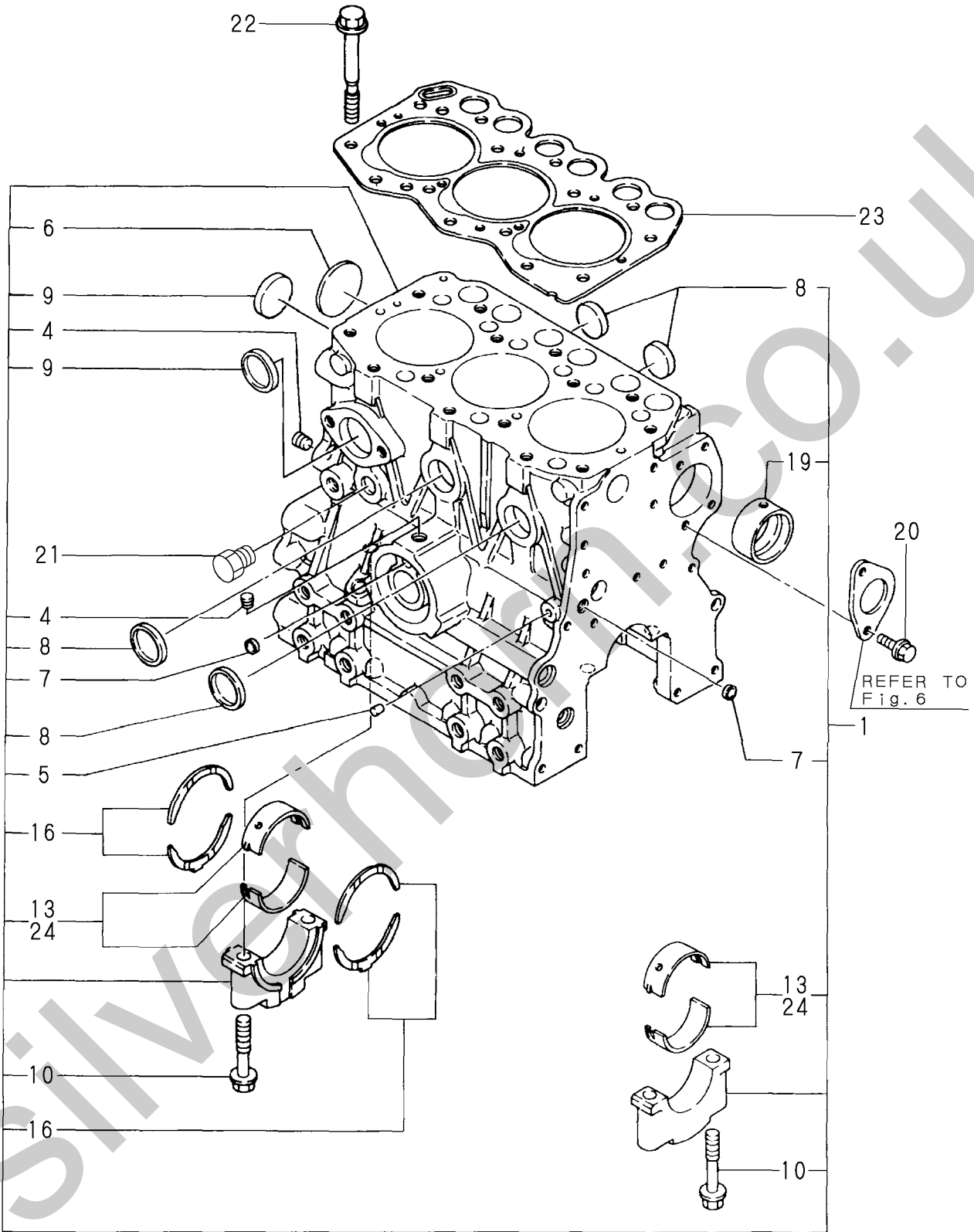
[Info]
PcNo=Y00B6331
PcName=3TN66L-EUBA
JpnUse=0
JpnSec1=fGf`fWf`
JpnSec2=-§ -
JpnSec3=TN
JpnPreface=0
EngUse=1
EngSec1=ENGINE (US)
EngSec2=SMALL VERTICAL (B)
EngSec3=TN
EngPreface=0

Silverhorn.CO.UK

1,1,,719270-01560,, "BLOCK ASSY, CYLINDER",1,,,,,,,,,,,,,
4,3,,124060-01050,, "PLUG PT1/8",2,,,,,,,,,,,,,
5,3,,27221-060100,, "PLUG 6X10",1,,,,,,,,,,,,,
6,3,,119265-01250,, "PLUG 40",1,,,,,,,,,,,,,
7,3,,27241-100000,, "PLUG 10",2,,,,,,,,,,,,,
8,3,,27241-250000,, "PLUG 25",4,,,,,,,,,,,,,
9,3,,27241-300000,, "PLUG 30",2,,,,,,,,,,,,,
10,3,,119260-02020,, BOLT,8,,,,,,,,,,,,,
13,2,,119260-02800,, "MAIN BEARING",4,,,,,,,,,,,,,
16,2,,119260-02930,, "THRUST BEARING",2,,,,,,,,,,,,,
19,2,,119266-02410,, BUSH,1,,,,,,,,,,,,,
20,1,,26106-060122,, "BOLT M 6X 12 PLATED",2,,,,,,,,,,,,,
21,1,,171056-49120,, "PLUG, DRAIN",1,,,,,,,,,,,,,
22,1,,119266-01200,, "STUD, CYL. HEAD",14,,,,,,,,,,,,,
23,1,,119225-01340,, "GASKET, (NON-ASB.)",1,,,,,,,,,,,,,
24,1,,119260-02870,, "BEARING, THRUST .25US",4,,,,,,,,,1,,,,,,,,,

Silverhorn.CO.UK

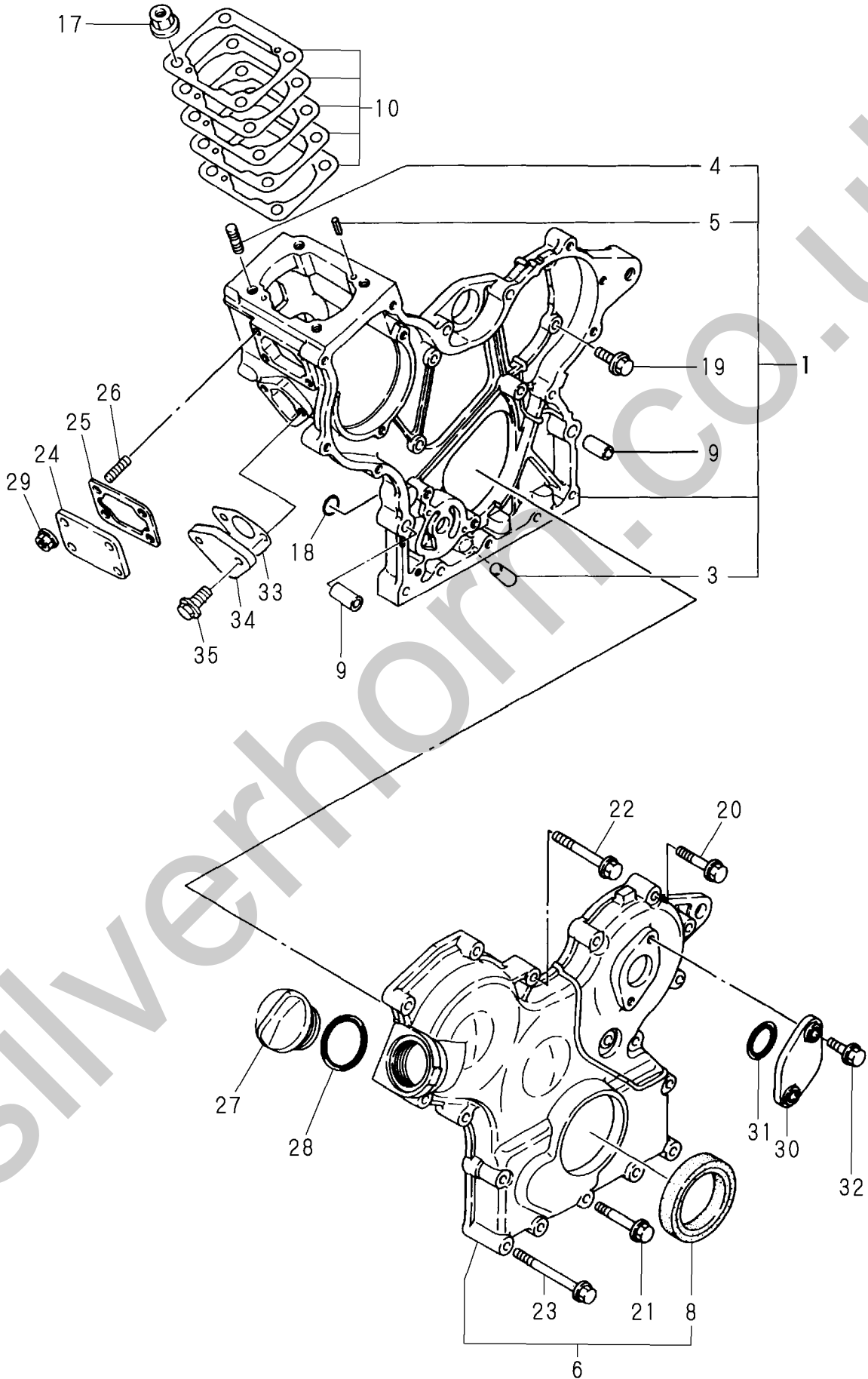
Fig. 1 CYLINDER BLOCK



1,1,,119260-01490,, "HOUSING ASSY, GEAR",1,,,,,,,,,,,,,
3,2,,119260-01510,, PLUG,1,,,,,,,,,,,,,
4,2,,121450-01560,, "STUD M 8X 22",4,,,,,,,,,,,,,
5,2,,22351-040010,, "SPRING PIN 4X10",2,,,,,,,,,,,,,
6,1,,119260-01590,, "COVER ASSY, GEAR CASE",1,,,,,,,,,,,,,
8,2,,119620-01800,, "SEAL HTC456208, OIL",1,,,,,,,,,,,,,
9,1,,119660-01911,, "PIPE, KNOCK",4,,,,,,,,,,,,,
10,1,,119623-01950,, "SHIM PACK",1,,,,,,,,,,,,,
17,1,,194990-22050,, "NUT W/WASHER 8",4,,,,,,,,,,,,,
18,1,,119624-32040,, "O-RING P 12.0",2,,,,,,,,,,,,,
19,1,,26106-060162,, "BOLT M 6X 16 PLATED",5,,,,,,,,,,,,,
20,1,,26106-060302,, "BOLT M 6X 30 PLATED",5,,,,,,,,,,,,,
21,1,,26106-060402,, "BOLT M 6X 40 PLATED",3,,,,,,,,,,,,,
22,1,,26106-060502,, "BOLT M 6X 50 PLATED",4,,,,,,,,,,,,,
23,1,,26106-060652,, "BOLT M 6X 65 PLATED",6,,,,,,,,,,,,,
24,1,,119660-01551,, COVER,1,,,,,,,,,,,,,
25,1,,119660-01562,, "GASKET, (NON-ASB.)",1,,,,,,,,,,,,,
26,1,,119660-01570,, "STUD M6X12",4,,,,,,,,,,,,,
27,1,,124160-01751,, "COVER, FILLER",1,,,,,,,,,,,,,
28,1,,24311-000320,, "O-RING 1A P-32.0",1,,,,,,,,,,,,,
29,1,,26366-060002,, "NUT M 6",4,,,,,,,,,,,,,
30,1,,121023-01550,, "COVER, BLIND",1,,,,,,,,,,,,,
31,1,,24341-000240,, "O-RING 1A S-24.0",1,,,,,,,,,,,,,
32,1,,26106-060162,, "BOLT M 6X 16 PLATED",2,,,,,,,,,,,,,
33,1,,121520-01851,, "GASKET, (NON-ASB.)",1,,,,,,,,,,,,,
34,1,,121520-01860,, "COVER, BLIND",1,,,,,,,,,,,,,
35,1,,26106-060162,, "BOLT M 6X 16 PLATED",2,,,,,,,,,,,,,

Silverhorn.CO.UK

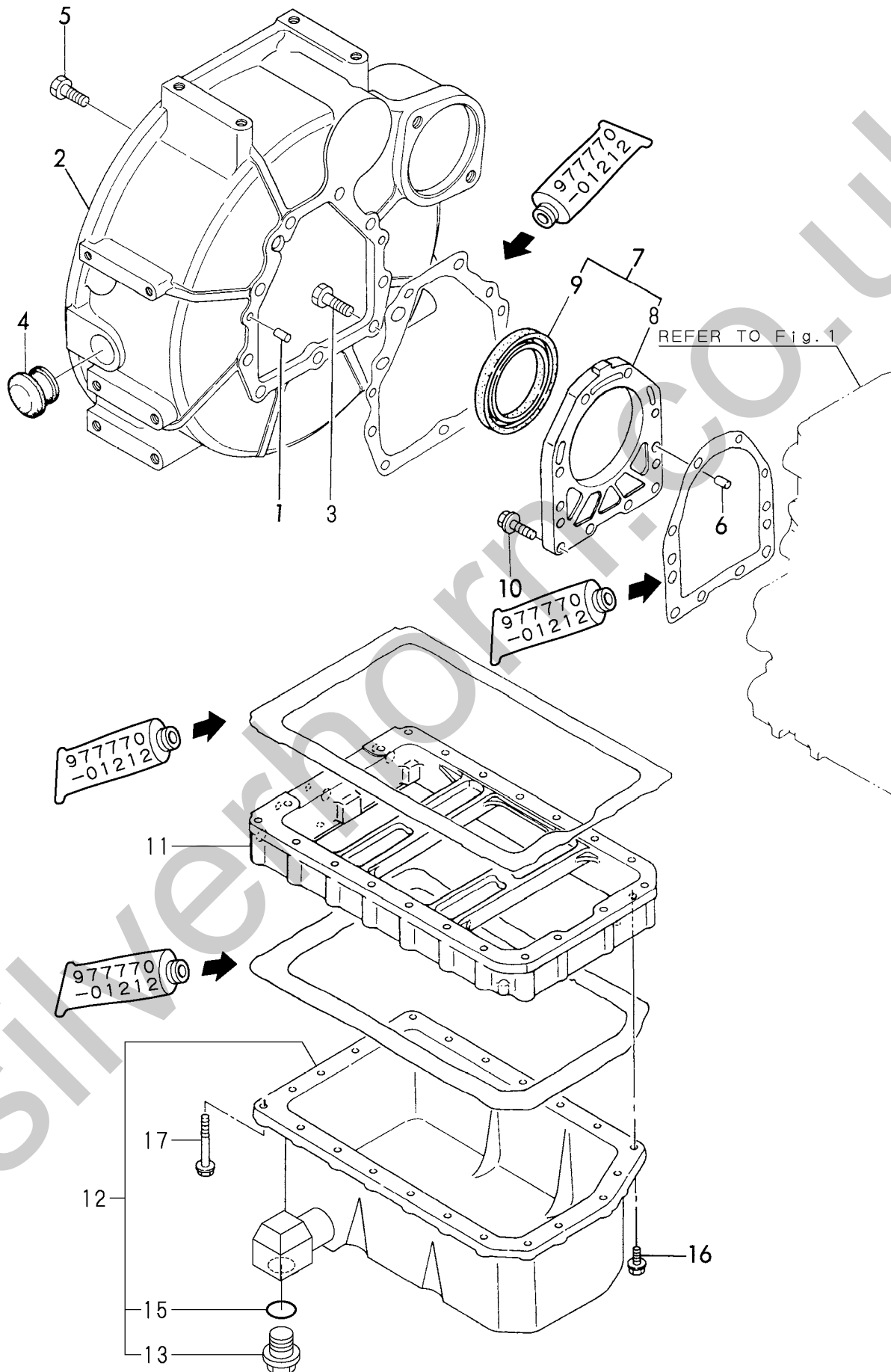
Fig. 2 GEAR HOUSING



1,1,,129100-01580,, "PARALLEL PIN 8X16",2,,,,,,,,,,,,,,,,,,,,,
2,1,,119230-01600,, "HOUSING, FLYWHEEL",1,,,,,,,,,,,,,,,,,,,,,
3,1,,121120-01620,, "BOLT M 10X 28",3,,,,,,,,,,,,,,,,,,,,,
4,1,,119620-01750,, "CAP, FLYWHEEL COVER",1,,,,,,,,,,,,,,,,,,,,,
5,1,,26206-100252,, "BOLT M10X25",6,,,,,,,,,,,,,,,,,,,,,
6,1,,119620-01620,, "PARALLEL PIN 6X10",2,,,,,,,,,,,,,,,,,,,,,
7,1,,119660-01640,, "CASE ASSY, OIL SEAL",1,,,,,,,,,,,,,,,,,,,,,
8,2,,119660-01651,, "CASE, OIL SEAL",1,,,,,,,,,,,,,,,,,,,,,
9,2,,124085-02220,, "SEAL, OIL",1,,,,,,,,,,,,,,,,,,,,,
10,1,,26106-060222,, "BOLT M 6X 22 PLATED",10,,,,,,,,,,,,,,,,,,,,,
11,1,,119454-01721,, "SPACER, OIL SUMP",1,,,,,,,,,,,,,,,,,,,,,
12,1,,119233-01790,, "OILPAN ASSY",1,,,,,,,,,,,,,,,,,,,,,
12-1,1,,119233-01791,, "OIL PAN ASSY",1,,,,,N, TN-01329,E/#84439,,,,,I
13,2,,105425-01690,, "PLUG M16",1,,,,,,,,,,,,,,,,,,,,,
15,2,,22190-160002,, "SEAL WASHER 16S",1,,,,,,,,,,,,,,,,,,,,,
16,1,,26106-060102,, "BOLT M 6X 10 PLATED",3,,,,,,,,,,,,,,,,,,,,,
17,1,,26106-060452,, "BOLT M 6X 45 PLATED",20,,,,,,,,,,,,,,,,,,,,,

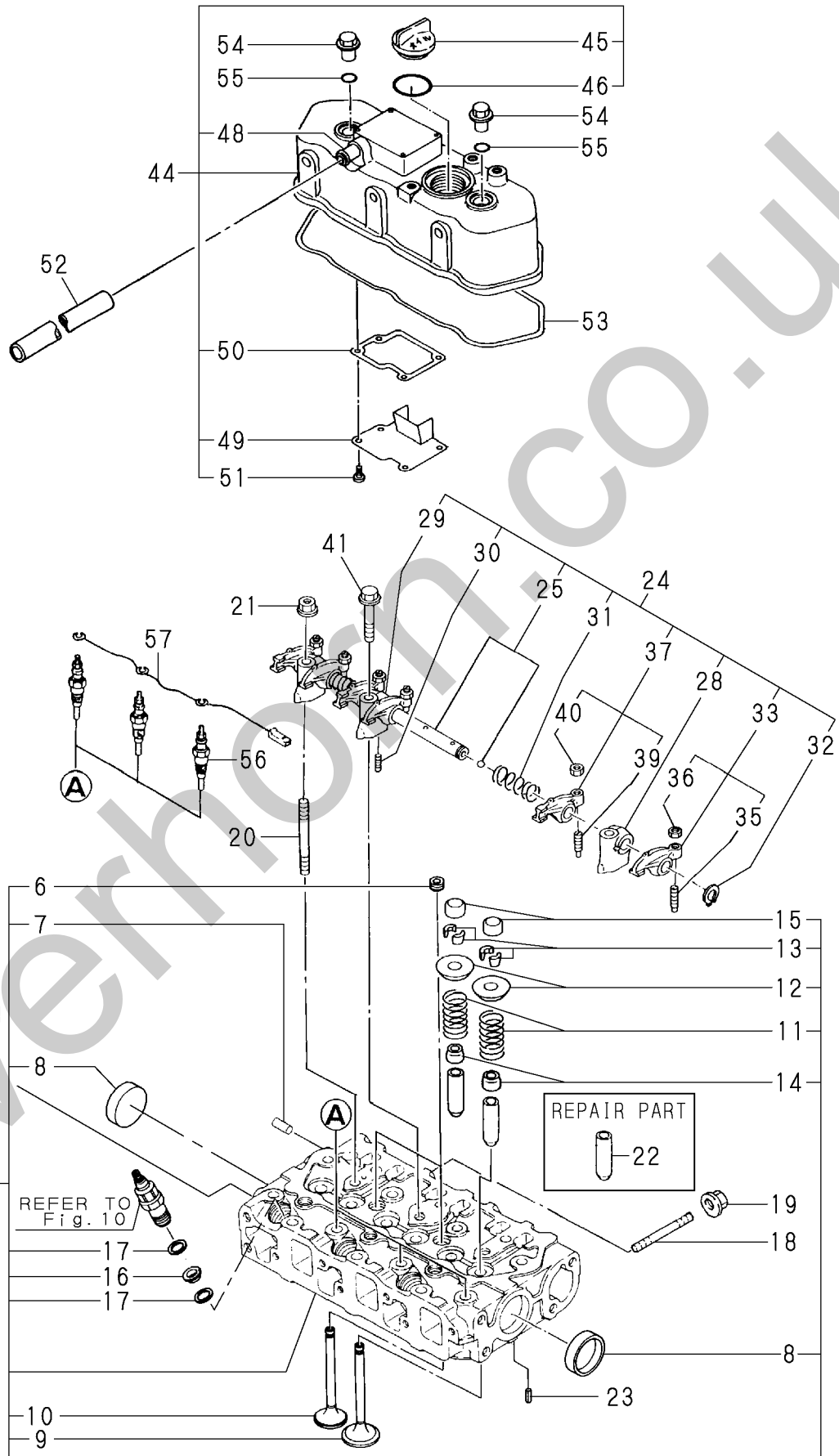
Silverhorn.CO.UK

Fig. **3** FLYWHEEL HOUSING & LUB. OIL SUMP



1,1,,719260-11700,, "HEAD ASSY, CYLINDER",1,,,,,,,,,,,,,
 6,3,,23876-030000,, "PLUG PT3/8,SCREW",2,,,,,,,,,,,,,
 7,3,,27221-050080,, "PLUG 5X 8",1,,,,,,,,,,,,,
 8,3,,27241-350000,, "PLUG 35",2,,,,,,,,,,,,,
 9,2,,119260-11100,, "VALVE, SUCTION",3,,,,,,,,,,,,,
 10,2,,119260-11110,, "VALVE, EXHAUST",3,,,,,,,,,,,,,
 11,2,,114250-11120,, "SPRING, VALVE",6,,,,,,,,,,,,,
 12,2,,114250-11180,, "RETAINER, SPRING",6,,,,,,,,,,,,,
 13,2,,27310-055001,, "COTTER",6,,,,,,,,,,,,,
 14,2,,119260-11340,, "SEAL, VALVE STEM",6,,,,,,,,,,,,,
 15,2,,119260-11370,, "CAP, VALVE",6,,,,,,,,,,,,,
 16,2,,119600-11450,, "PROTECTOR, NOZZLE",3,,,,,,,,,,,,,
 17,2,,119600-11460,, "GASKET, NOZZLE",6,,,,,,,,,,,,,
 18,1,,119620-11350,, "STUD",2,,,,,,,,,,,,,
 19,1,,26366-080002,, "NUT M 8",2,,,,,,,,,,,,,
 19-1,1,,26306-080002,, "NUT",2,,,,,,N,,JH-01017,E/#83447,,,,,,,,,I
 20,1,,26216-060402,, "STUD M 6X 40 PLATED",2,,,,,,,,,,,,,
 21,1,,26366-060002,, "NUT M 6",2,,,,,,,,,,,,,
 22,1,,119260-11800,, "GUIDE, VALVE",6,,,,,,1,,,,,,,,,
 23,1,,22351-060012,, "SPRING PIN 6X12",2,,,,,,,,,,,,,
 24,1,,119260-11200,, "SUPPORT ASSY, ARM",1,,,,,,,,,,,,,
 25,2,,119260-11240,, "SHAFT ASSY, ARM",1,,,,,,,,,,,,,
 28,2,,119260-11260,, "SUPPORT, ROCKER ARM",1,,,,,,,,,,,,,
 29,2,,119265-11260,, "SUPPORT, ROCKER ARM",2,,,,,,,,,,,,,
 30,2,,119260-11270,, "SCREW",1,,,,,,,,,,,,,
 31,2,,119260-11280,, "SPRING",2,,,,,,,,,,,,,
 32,2,,22242-000100,, "CIRCLIP 10",2,,,,,,,,,,,,,
 33,2,,719260-11650,, "ARM ASSY, ROCKER",3,,,,,,,,,,,,,
 35,3,,105010-11230,, "SCREW, VALVE",3,,,,,,,,,,,,,
 36,3,,26756-060002,, "LOCK NUT 6",3,,,,,,,,,,,,,
 37,2,,719260-11660,, "ARM ASSY, ROCKER",3,,,,,,,,,,,,,
 39,3,,105010-11230,, "SCREW, VALVE",3,,,,,,,,,,,,,
 40,3,,26756-060002,, "LOCK NUT 6",3,,,,,,,,,,,,,
 41,1,,26106-080452,, "BOLT M 8X 45 PLATED",1,,,,,,,,,,,,,
 42,1,,119632-07900,, "LIFTER, ENGINE",1,,,,,,,,,,,,,
 43,1,,26106-060122,, "BOLT M 6X 12 PLATED",4,,,,,,,,,,,,,
 44,1,,119230-11351,, "BONNET ASSY",1,,,,,,,,,,,,,
 45,2,,124160-01751,, "COVER, FILLER",1,,,,,,,,,,,,,
 46,2,,24311-000320,, "O-RING 1A P-32.0",1,,,,,,,,,,,,,
 48,2,,119266-11390,, "JOINT",1,,,,,,,,,,,,,
 49,2,,119260-03020,, "PLATE, SHELTER",1,,,,,,,,,,,,,
 50,2,,119260-03031,, "GASKET, (NON-ASB.)",1,,,,,,,,,,,,,
 51,2,,22857-500100,, "SCREW 5X10, TAPPING",4,,,,,,,,,,,,,
 52,1,,23065-120800,, "PIPE 12*700",1,,,,,,,,,,,,,
 53,1,,119260-11310,, "GASKET, BONNET",1,,,,,,,,,,,,,
 54,1,,124160-11360,, "KNOB",2,,,,,,,,,,,,,
 55,1,,24311-000120,, "O-RING 1A P 12.0",2,,,,,,,,,,,,,
 56,1,,129155-77801,, "PLUG, GLOW",3,,,,,,,,,,,,,
 57,1,,119645-77820,, "CONNECTOR, GLOW PLUG",1,,,,,,,,,,,,,

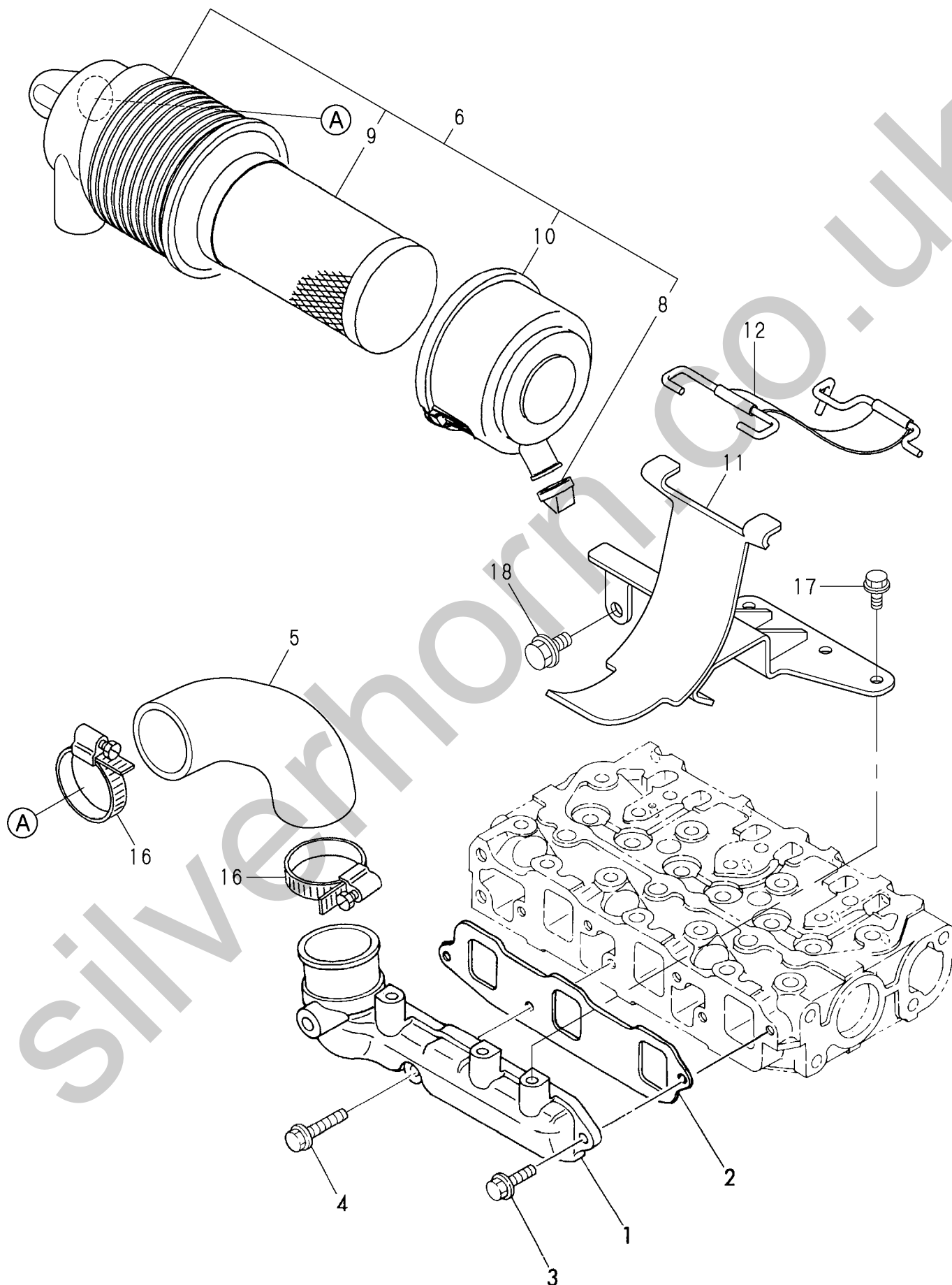
Fig. 4 CYLINDER HEAD & BONNET



1,1,,119275-12101,, "MANIFOLD, INTAKE",1,,,,,,,,,,,,,,,,,
2,1,,119270-12110,, "GASKET, SUC.MANIFOLD",1,,,,,,,,,,,,,,,,,
3,1,,26106-060162,, "BOLT M 6X 16 PLATED",2,,,,,,,,,,,,,,,,,
4,1,,26106-060282,, "BOLT M 6X 28 PLATED",1,,,,,,,,,,,,,,,,,
5,1,,119230-12250,, "HOSE,AIR",1,,,,,,,,,,,,,,,,,
6,1,,119230-12530,, "AIR CLEANER",1,,,,,,,,,,,,,,,,,
8,2,,119808-12540,, "VALVE, UNLOADER",1,,,,,,,,,,,,,,,,,
9,2,,119655-12560,, ELEMENT,1,,,,,,,,,,,,,,,,,
10,2,,105027-12570,, "COVER, AIR CREAMER",1,,,,,,,,,,,,,,,,,
11,1,,119230-12599,, "SUPPORT, AIR CLEANER",1,,,,,,,,,,,,,,,,,
11-1,1,,119230-12591,, "SUPPORT, AIR CLEANER",1,,,,,,N,,TN-
00269,E/#82624,,,,,,,,,,,,I
12,1,,119865-12600,, STAY,1,,,,,,,,,,,,,,,,,
16,1,,23000-054000,, "CLAMP 54",2,,,,,,,,,,,,,,,,,
17,1,,26106-060142,, "BOLT M 6X 14 PLATED",3,,,,,,,,,,,,,,,,,
18,1,,26106-080162,, "BOLT M 8X 16 PLATED",1,,,,,,,,,,,,,,,,,

Silverhorn.CO.UK

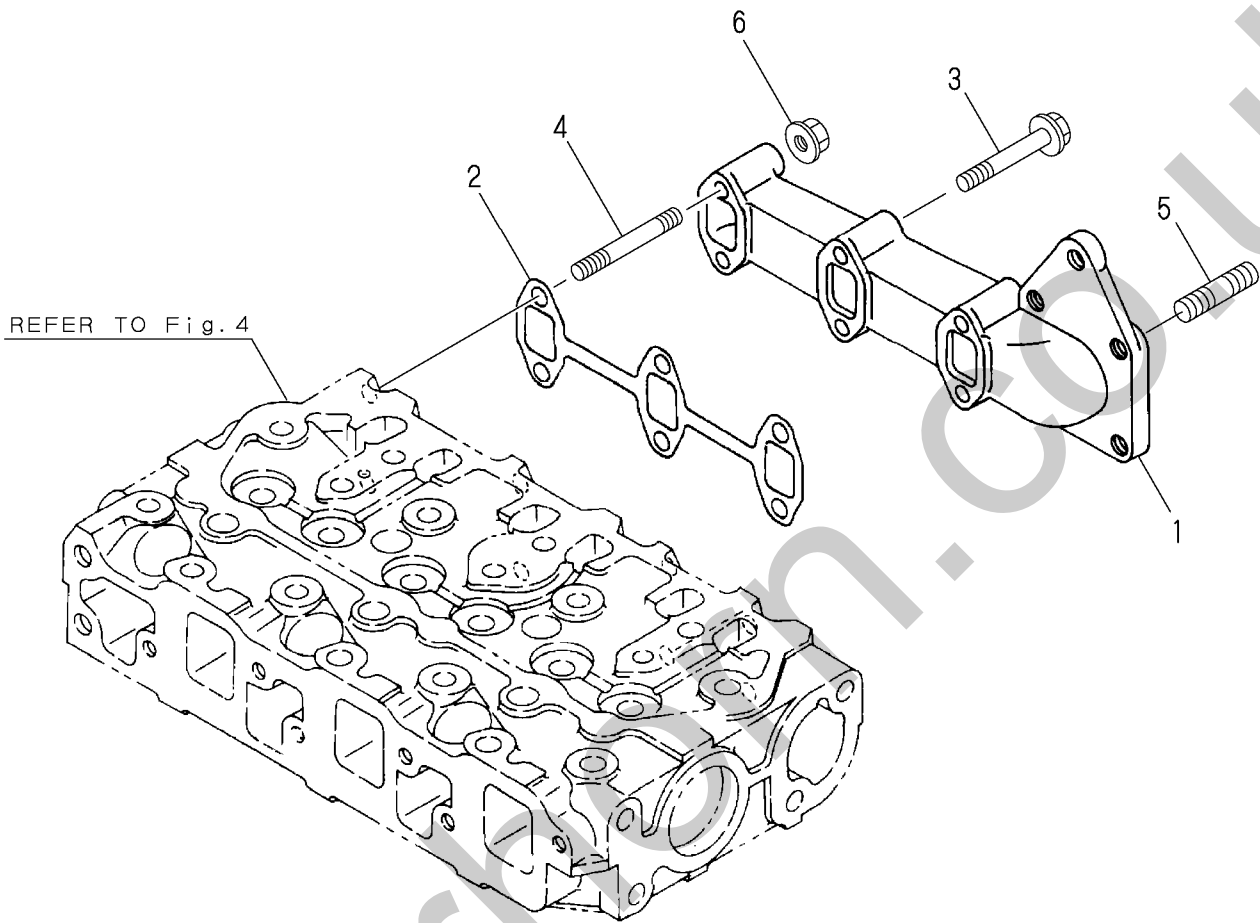
Fig. **5** SUC. MANIFOLD & AIR CLEANER



1,1,,119233-13100,, "MANIFOLD, EXHAUST",1,,,,,,,,,,,,,,,,,,,,,
2,1,,119260-13110,, "GASKET, EXH.MANIFOLD",1,,,,,,,,,,,,,,,,,,,,,
3,1,,26106-060402,, "BOLT M 6X 40 PLATED",4,,,,,,,,,,,,,,,,,,,,,
4,1,,26216-060402,, "STUD M 6X 40 PLATED",2,,,,,,,,,,,,,,,,,,,,,
5,1,,119131-18320,, "BOLT M 8X 22",4,,,,,,,,,,,,,,,,,,,,,
6,1,,26366-060002,, "NUT M 6",2,,,,,,,,,,,,,,,,,,,,,

Silverhorn.CO.UK

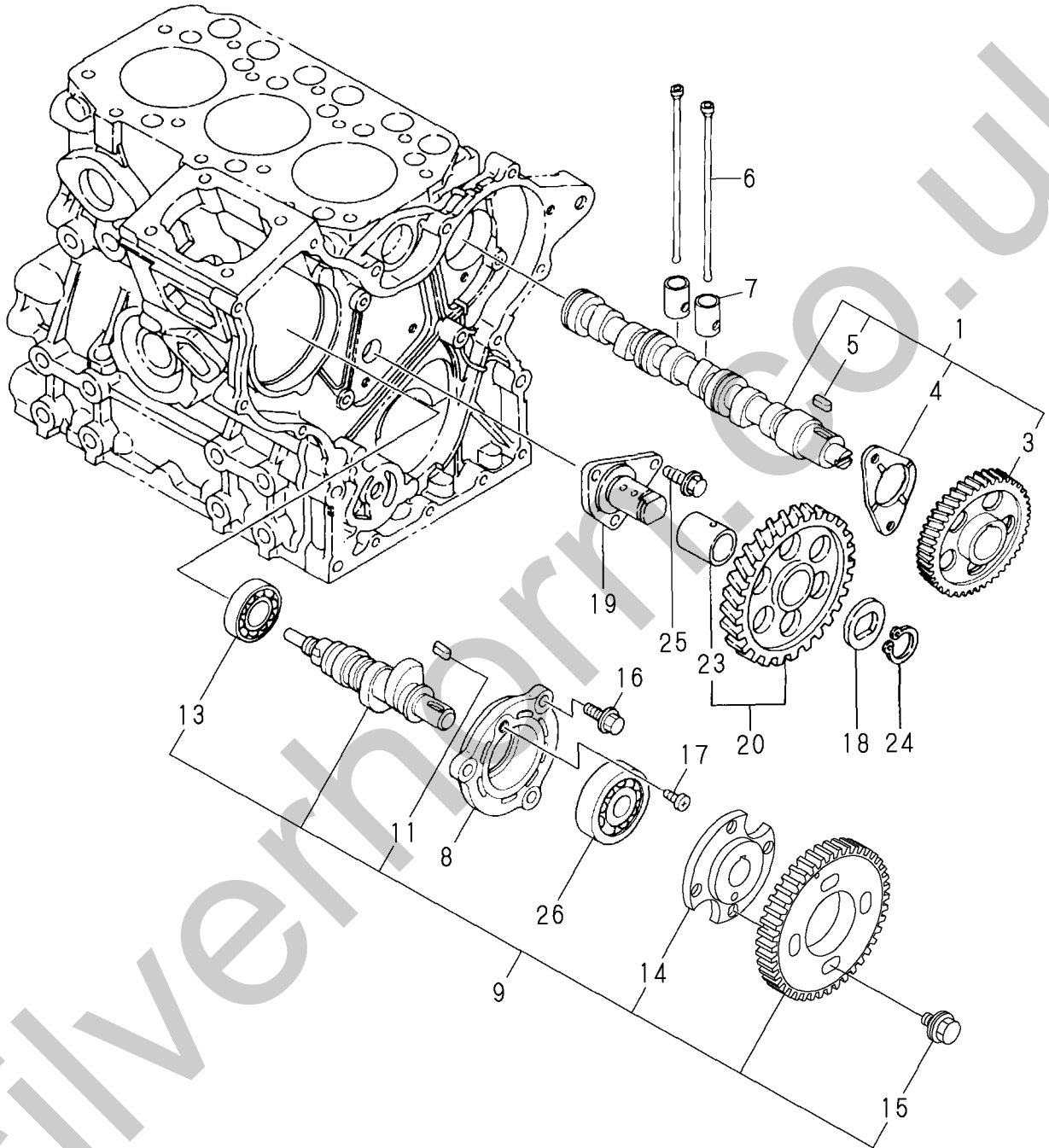
Fig. **6** EXH. MANIFOLD



1,1,,119260-14580,, "CAMSHAFT ASSY",1,,,,,,,,,,,,,,,,,,,,,
3,2,,119260-14100,, "GEAR, CAMSHAFT",1,,,,,,,,,,,,,,,,,,,,,
4,2,,119620-02450,, "BEARING, THRUST",1,,,,,,,,,,,,,,,,,,,,,
5,2,,22512-040120,, "KEY 4X 12",1,,,,,,,,,,,,,,,,,,,,,
6,1,,119260-14400,, "ROD, PUSH",6,,,,,,,,,,,,,,,,,,,,,
7,1,,119260-14200,, TAPPET,6,,,,,,,,,,,,,,,,,,,,,
8,1,,119660-01821,, "BEARING, FUEL CAM.",1,,,,,,,,,,,,,,,,,,,,,
9,1,,119225-14210,, "CAM ASSY, F.I. PUMP",1,,,,,,,,,,,,,,,,,,,,,
11,2,,22512-040120,, "KEY 4X 12",1,,,,,,,,,,,,,,,,,,,,,
13,2,,24102-063034,, "BALL BEARING 6303U",1,,,,,,,,,,,,,,,,,,,,,
14,2,,119660-25920,, FLANGE,1,,,,,,,,,,,,,,,,,,,,,
15,2,,119660-25930,, "THREAD, FI-P GEAR",4,,,,,,,,,,,,,,,,,,,,,
16,1,,26106-060162,, "BOLT M 6X 16 PLATED",3,,,,,,,,,,,,,,,,,,,,,
17,1,,26587-080102,, "SCREW M 8X 10",1,,,,,,,,,,,,,,,,,,,,,
18,1,,119660-25022,, "RETAINER, IDLE GEAR",1,,,,,,,,,,,,,,,,,,,,,
19,1,,119660-25052,, "SHAFT, IDLE GEAR",1,,,,,,,,,,,,,,,,,,,,,
20,1,,119260-25100,, "GEAR W/BUSH, IDLE",1,,,,,,,,,,,,,,,,,,,,,
23,2,,119620-25912,, BUSH,1,,,,,,,,,1,,,,,,,,,,,,,
24,1,,22242-000200,, "CIRCLIP 20",1,,,,,,,,,,,,,,,,,,,,,
25,1,,26106-060122,, "BOLT M 6X 12 PLATED",3,,,,,,,,,,,,,,,,,,,,,
26,1,,24101-062034,, "BALL BEARING",1,,,,,,,,,,,,,,,,,,,,,

Silverhorn.CO.UK

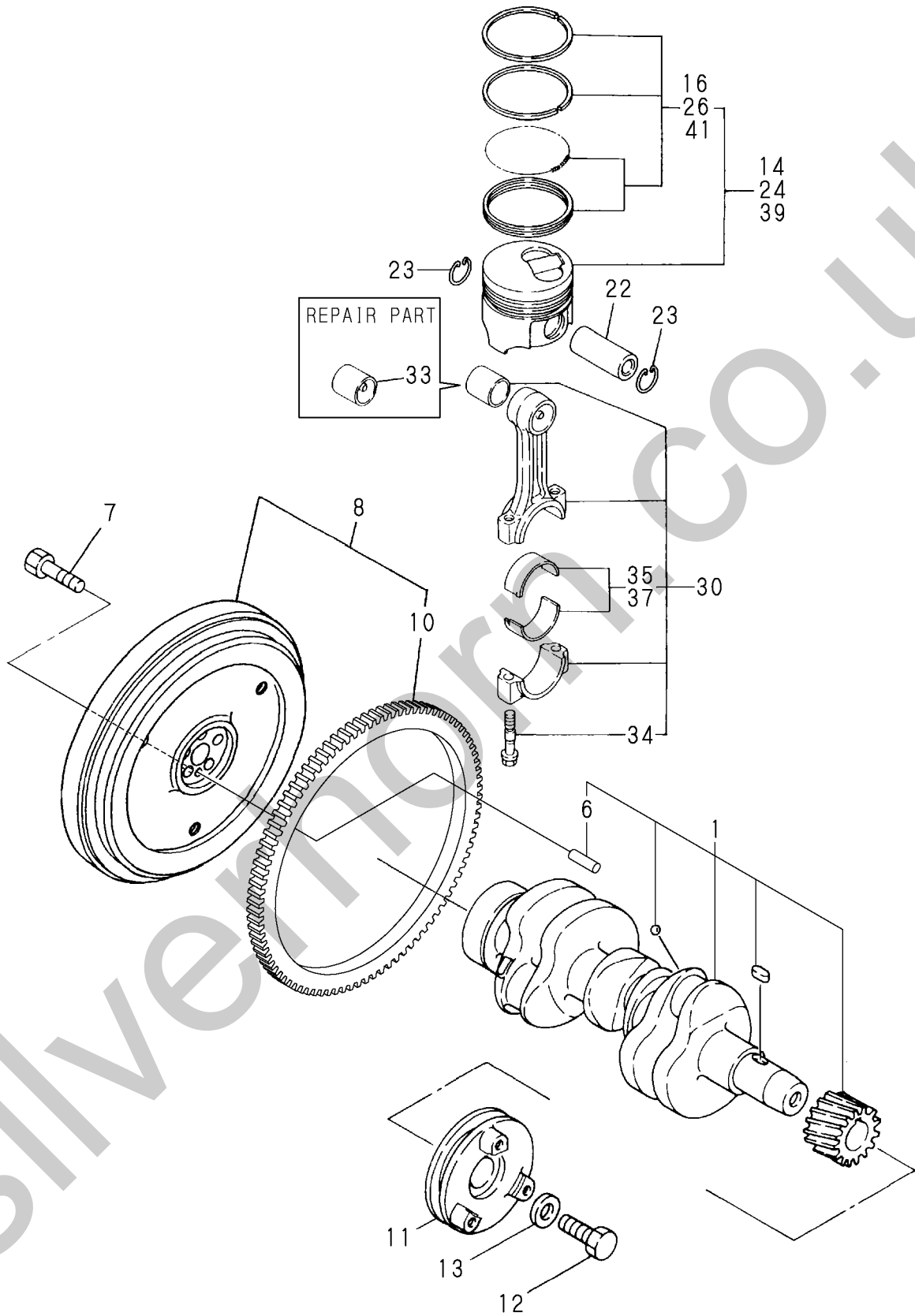
Fig. **7** CAMSHAFT & DRIVING GEAR



1,1,,719260-21700,, "CRANKSHAFT ASSY",1,,,,,,,,,,,,,,,,,
6,2,,129100-01580,, "PARALLEL PIN 8X16",1,,,,,,,,,,,,,,,,,
7,1,,119620-21500,, "BOLT, FLYWHEEL",5,,,,,,,,,,,,,,,,,
8,1,,119230-21590,, "FLYWHEEL W/RING GEAR",1,,,,,,,,,,,,,,,,,
10,2,,124950-21600,, "GEAR, RING",1,,,,,,,,,,,,,,,,,
11,1,,119230-21651,, "V-PULLEY",1,,,,,,,,,,,,,,,,,
12,1,,119621-21680,, "BOLT M12X1.25, FLANGE",1,,,,,,,,,,,,,,,,,
13,1,,119620-21941,, "WASHER",1,,,,,,,,,,,,,,,,,
14,1,,119270-22091,, "PISTON W/RING",3,,,,,,,,,,,,,,,,,
16,2,,719270-22501,, "RING SET",3,,,,,,,,,,,,,,,,,
22,1,,119260-22300,, "PIN, PISTON",3,,,,,,,,,,,,,,,,,
23,1,,105225-22400,, "CIRCLIP",6,,,,,,,,,,,,,,,,,
24,1,,719270-22821,, "PISTON W/RING OS=.25",3,,,,,,,,1,,,,,,,,,
26,2,,719270-22541,, "RING SET O.S=0.25",3,,,,,,,,1,,,,,,,,,
30,1,,119265-23100,, "ROD ASSY, CONNECTING",3,,,,,,,,,,,,,,,,,
33,2,,119260-23910,, "BUSH, PISTON PIN",3,,,,,,,,2,,,,,,,,,
34,2,,119265-23200,, "BOLT, ROD",6,,,,,,,,,,,,,,,,,
35,2,,719260-23600,, "BEARING, CRANKPIN",3,,,,,,,,,,,,,,,,,
37,1,,719260-23610,, "BEARING, PIN U.S=0.25",3,,,,,,,,3,,,,,,,,,
39,1,,119270-22920,, "PISTON W/RING OS=0.5",3,,,,,,,,4,,,,,,,,,
41,2,,119270-22970,, "RING SET O.S=0.5",3,,,,,,,,4,,,,,,,,,

Silverhorn.CO.UK

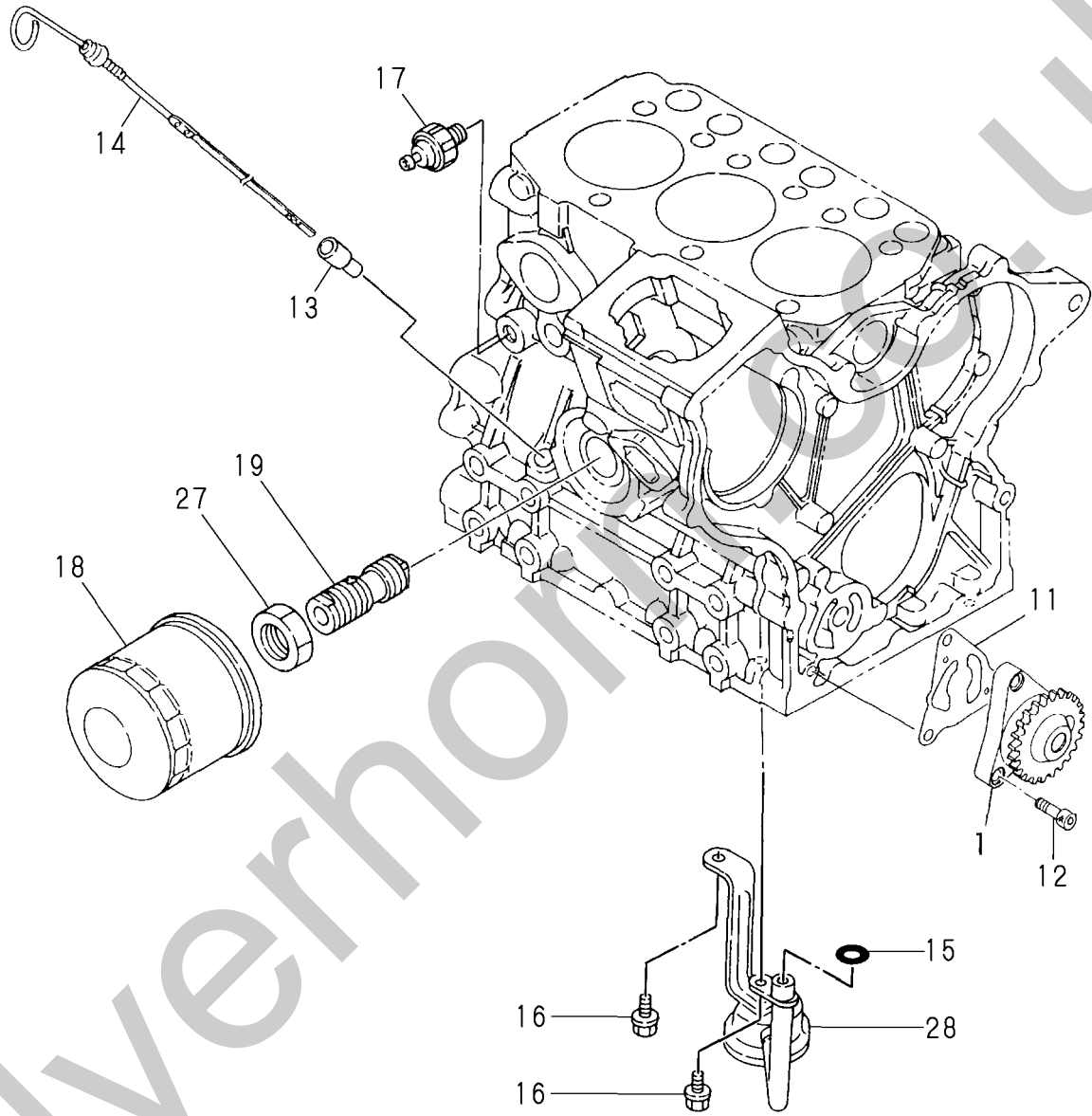
Fig. 8 CRANKSHAFT & PISTON



1,1,,119260-32000,, "PUMP ASSY, LUB. OIL",1,,,,,,,,,,,,,,,,,,,,,
11,1,,119660-32020,, "GASKET, L.O.PUMP",1,,,,,,,,,,,,,,,,,,,,,
12,1,,26450-060202,, "BOLT M 6X 20",3,,,,,,,,,,,,,,,,,,,,,
13,1,,121520-34810,, "GUIDE, DIPSTICK",1,,,,,,,,,,,,,,,,,,,,,
14,1,,119230-34800,, "DIPSTICK, LUB. OIL",1,,,,,,,,,,,,,,,,,,,,,
15,1,,119209-35030,, "O-RING",1,,,,,,,,,,,,,,,,,,,,,
16,1,,26106-060122,, "BOLT M 6X 12 PLATED",2,,,,,,,,,,,,,,,,,,,,,
17,1,,114250-39450,, "SWITCH, (0.5KG)L.O.",1,,,,,,,,,,,,,,,,,,,,,
18,1,,119305-35150,, "FILTER, LUB. OIL",1,,,,,,,,,,,,,,,,,,,,,
19,1,,119225-35300,, "VALVE ASSY,OIL PRESS",1,,,,,,,,,,,,,,,,,,,,,
27,1,,129150-35350,, "NUT",1,,,,,,,,,,,,,,,,,,,,,
28,1,,119260-35081,, "PIPE ASSY,OIL INTAKE",1,,,,,,,,,,,,,,,,,,,,,

Silverhorn.CO.UK

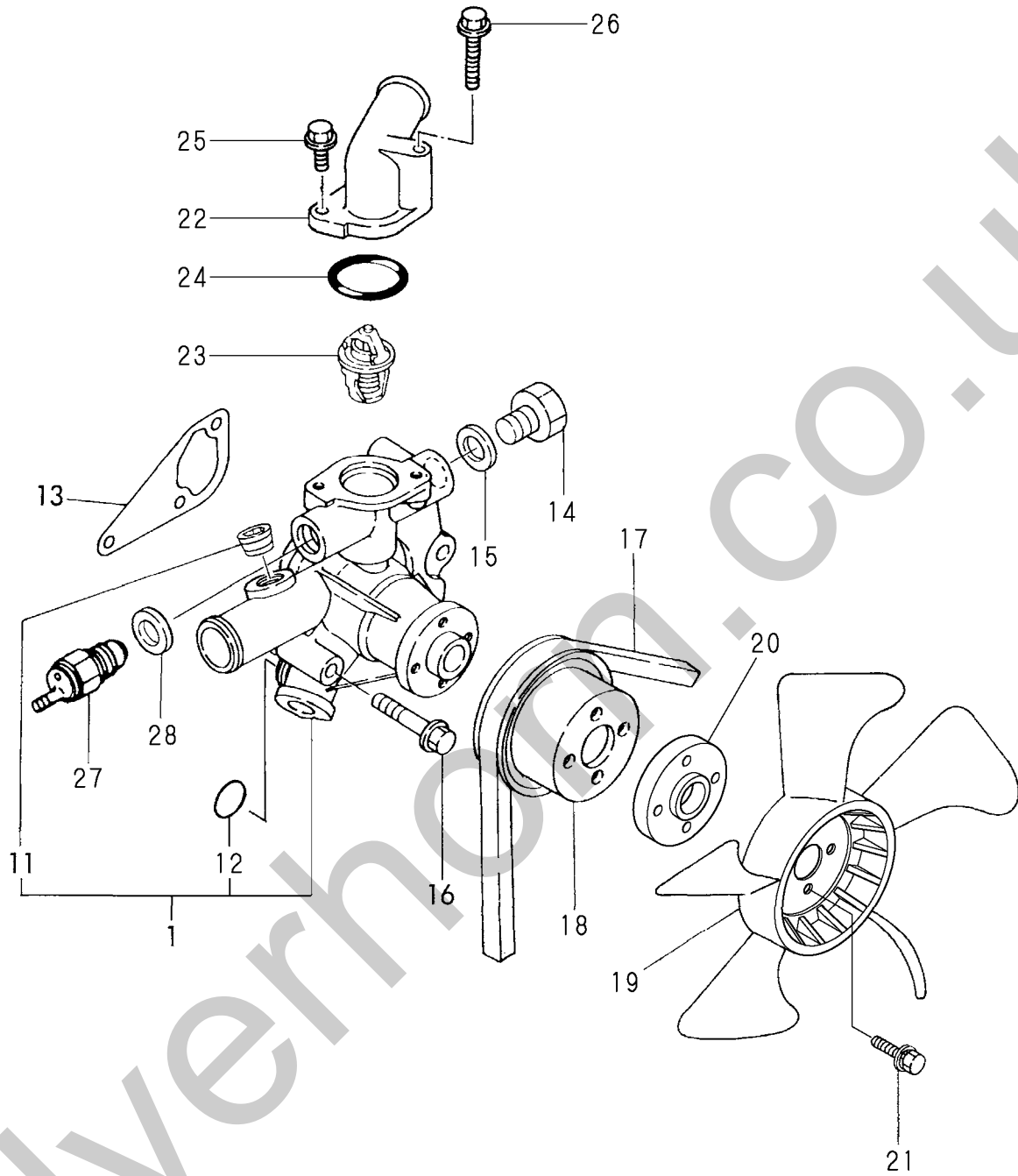
Fig. **9** LUB. OIL SYSTEM



1,1,,119244-42001,, "PUMP ASSY, C. WATER",1,,,,,,,,,,,,,
 11,2,,23876-030000,, "PLUG PT3/8,SCREW",1,,,,,,,,,,,,,
 12,2,,119225-42320,, "O-RING",1,,,,,,,,,,,,,
 13,1,,119260-42021,, "GASKET, C.W.",1,,,,,,,,,,,,,
 14,1,,121450-42450,, "PLUG M16",1,,,,,,,,,,,,,
 15,1,,124465-44950,, "GASKET 16",1,,,,,,,,,,,,,
 16,1,,26106-080452,, "BOLT M 8X 45 PLATED",3,,,,,,,,,,,,,
 17,1,,119225-42290,, "V-BELT",1,,,,,,,,,,,,,
 18,1,,119620-42350,, "V-PULLEY, C.W. PUMP",1,,,,,,,,,,,,,
 19,1,,119230-44750,, "FAN, COOLING",1,,,,,,,,,,,,,
 20,1,,171009-44760,, "SPACER",1,,,,,,,,,,,,,
 21,1,,26106-060222,, "BOLT M 6X 22 PLATED",4,,,,,,,,,,,,,
 22,1,,119256-49530,, "COVER, THERMOSTAT",1,,,,,,,,,,,,,
 22-1,1,,119256-49531,, "COVER, THERMOSTAT",1,,,,,N,,TN-
 01303,E/#84321,,,,,,I
 23,1,,119260-49800,, "THERMOSTAT (71ËC",1,,,,,,,,,,,,,
 23-1,1,,119260-49801,, "THERMOSTAT",1,,,,,N,,TN-01252,E/#84321,,,,,,I
 24,1,,119209-42140,, "O_RING,COVER_THERMOS",1,,,,,,,,,,,,,
 25,1,,26106-060162,, "BOLT M 6X 16 PLATED",1,,,,,,,,,,,,,
 26,1,,26106-060552,, "BOLT M 6X 55 PLATED",1,,,,,,,,,,,,,
 27,1,,121250-44901,, "SWITCH, THERMO(110ËC",1,,,,,,,,,,,,,
 28,1,,124465-44950,, "GASKET 16",1,,,,,,,,,,,,,

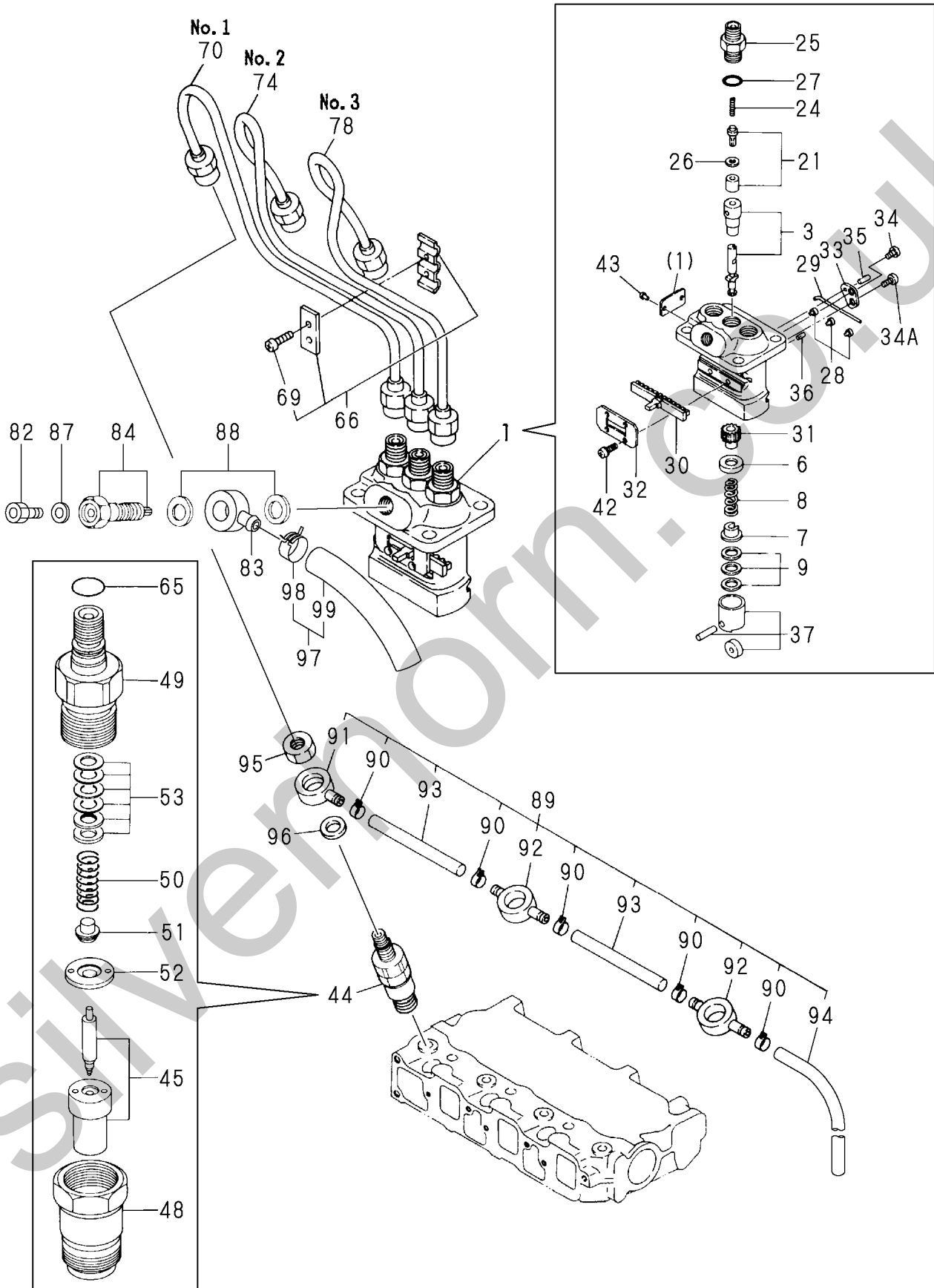


Fig. **10** COOLING WATER SYSTEM



1,1,,719266-51100,, "PUMP ASSY, F.INJECT.",1,
3,2,,119225-51100,, "PLUNGER W/BARREL",3,
6,2,,119620-51170,, "RETAINER",3,
7,2,,119620-51180,, "RETAINER",3,
8,2,,119620-51190,, "SPRING, PLUNGER",3,
9,2,,119620-51250,, "SHIM PACK",3,
21,2,,119225-51300,, "VALVE W/SEAT, DELIV.",3,
24,2,,105546-51330,, "SPRING, DELIV. VALVE",3,
25,2,,119620-51340,, "HOLDER, DELIV. VALVE",3,
26,2,,119620-51350,, "GASKET, DELIVERY",3,
27,2,,119620-51370,, "O-RING",3,
28,2,,119620-51450,, "GUIDE, PLUNGER",3,
29,2,,119620-51461,, "PIN",1,
30,2,,119660-51500,, "RACK",1,
31,2,,119620-51510,, "PINION",3,
32,2,,119660-51530,, "RETAINER, RACK",1,
33,2,,119620-51650,, "PLATE",2,
34,2,,119620-51660,, "SCREW",2,
34A,2,,26033-040102,, "SCREW M 4X 10",2,
35,2,,119620-51670,, "PIN",2,
36,2,,119620-51680,, "PIN",1,
37,2,,119620-51700,, "TAPPET ASSY",3,
42,2,,26022-040082,, "SCREW M 4X 8",4,
43,2,,102210-07990,, "RIVET",2,
44,1,,719255-53100,, "FUEL INJECT.VALVE AS",3,
45,2,,119620-53000,, "NOZZLE ASSY,F.INJECT",3,
48,2,,119620-53080,, "NUT, VALVE W/CASE",3,
49,2,,119255-53100,, "HOLDER,NOZZLE",3,
50,2,,119620-53120,, "SPRING, VALVE",3,
51,2,,114250-53130,, "SEAT, NOZZLE SPRING",3,
52,2,,119620-53140,, "SPACER, VALVE STOP",3,
53,2,,114250-53400,, "SHIM PACK",3,
65,2,,129155-61830,, "O-RING S10",3,
66,1,,129150-59120,, "RETAINER, INJ. PIPE",1,
69,2,,129150-59131,, "BOLT M4X14,HEX.SCKT.",2,
70,1,,119225-59810,, "PIPE (1),FUEL INJECT",1,
74,1,,119260-59820,, "PIPE (2),FUEL INJECT",1,
78,1,,119260-59830,, "PIPE (3),FUEL INJECT",1,
82,1,,123482-01900,, "PLUG",1,
83,1,,101304-59020,, "JOINT 12, PIPE",1,
84,1,,119462-59190,, "BOLT ASSY,PIPE JOINT",1,
87,1,,22190-080002,, "SEAL WASHER 8S",1,
88,1,,22190-120002,, "SEAL WASHER 12",2,
89,1,,119266-59540,, "PIPE ASSY, FUEL OVER",1,
90,2,,124066-59100,, "CLAMP 8",6,
91,2,,119260-59520,, "JOINT (B)",1,
92,2,,119260-59530,, "JOINT (A)",2,
93,2,,105025-59550,, "PIPE, FUEL RETURN",2,
94,2,,119000-59560,, "PIPE, FUEL RETURN",1,
95,1,,119620-59700,, "NUT",3,
96,1,,22190-140002,, "SEAL WASHER 14S",3,
97,1,,119230-59040,, "PIPE ASSY, FUEL",1,
98,2,,124766-59050,, "CLAMP 12",1,
99,2,,105312-59510,, "PIPE, FUEL",1,

Fig. **11** FUEL INJECTION DEVICE



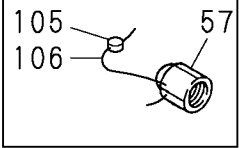
1,1,,121465-59950,, "BOLT M 6X 16, PLATED",1,,,,,,,,,,,,,,,,,,,,,
2,1,,119660-61060,, "COVER, GOVERNOR CASE",1,,,,,,,,,,,,,,,,,,,,,
3,1,,119660-61071,, "GASKET, (NON-ASB.)",1,,,,,,,,,,,,,,,,,,,,,
4,1,,119600-61400,, "WEIGHT ASSY, GOV.",1,,,,,,,,,,,,,,,,,,,,,
8,1,,119660-61300,, "NUT, GOVERNOR WEIGHT",1,,,,,,,,,,,,,,,,,,,,,
9,1,,119660-61341,, "SLEEVE, GOVERNOR",1,,,,,,,,,,,,,,,,,,,,,
10,1,,119660-61121,, "LINK L=88.8(NO COLOR)",1,,,,,1,,,,,1,,,,,1,,,,,
11,1,,119660-61140,, "LINK L=88.6(WHITE)",1,,,,,1,,,,,1,,,,,1,,,,,
12,1,,119660-61150,, "LINK L=89.0(RED)",1,,,,,1,,,,,1,,,,,1,,,,,
13,1,,129155-51280,, "O-RING S6",1,,,,,,,,,,,,,,,,,,,,,
14,1,,119285-61010,, "CASE, GOVERNOR",1,,,,,,,,,,,,,,,,,,,,,
14-1,1,,119285-61011,, "CASE, GOVERNOR",1,,,,,N,,TN-00268,E/#82772,,,,,I
14-2,1,,119285-61012,, "CASE, GOVERNOR",1,,,,,N,,TN-01057,E/#83869,,,,,I
15,1,,119660-61052,, "GASKET, (NON-ASB.)",1,,,,,,,,,,,,,,,,,,,,,
16,1,,119660-61460,, "SHIM SET",1,,,,,,,,,,,,,,,,,,,,,
19,1,,129155-61480,, "SPACER ASSY",2,,,,,,,,,,,,,,,,,,,,,
24,1,,119660-61590,, "SHAFT",1,,,,,,,,,,,,,,,,,,,,,
25,1,,119232-61510,, "LEVER ASSY, GOVERNOR",1,,,,,,,,,,,,,,,,,,,,,
26,2,,174307-51700,, "SHIM SET",2,,,,,,,,,,,,,,,,,,,,,
39,2,,114770-61520,, "BEARING, NEEDLE",2,,,,,,,,,,,,,,,,,,,,,
41,2,,119232-61540,, "SPRING, LEVER",1,,,,,,,,,,,,,,,,,,,,,
42,2,,119600-61541,, "SHIFTER, P.T.O.",1,,,,,,,,,,,,,,,,,,,,,
43,2,,119660-61651,, "SPRING, STARTING",1,,,,,,,,,,,,,,,,,,,,,
44,2,,22117-040000,, "WASHER 4",1,,,,,,,,,,,,,,,,,,,,,
45,2,,22272-000040,, "CIRCLIP E- 4",1,,,,,,,,,,,,,,,,,,,,,
46,2,,22351-030014,, "SPRING PIN 3X14",1,,,,,,,,,,,,,,,,,,,,,
47,1,,119600-61900,, "RETAINER, SHAFT",1,,,,,,,,,,,,,,,,,,,,,
48,1,,119660-61901,, "RETAINER, SHAFT",1,,,,,,,,,,,,,,,,,,,,,
49,1,,119285-66080,, "SHAFT ASSY,REGULATOR",1,,,,,,,,,,,,,,,,,,,,,
52,2,,22322-030160,, "TAPER PIN 3X16",1,,,,,,,,,,,,,,,,,,,,,
53,1,,22351-040010,, "SPRING PIN 4X10",2,,,,,,,,,,,,,,,,,,,,,
54,1,,24341-000070,, "O-RING 1A S-7.0",1,,,,,,,,,,,,,,,,,,,,,
55,1,,26106-060102,, "BOLT M 6X 10 PLATED",2,,,,,,,,,,,,,,,,,,,,,
56,1,,119840-61870,, "SPRING",1,,,,,,,,,,,,,,,,,,,,,
57,1,,129100-61930,, "NUT, CAP",1,,,,,,,,,,,,,,,,,,,,,
58,1,,119600-66020,, "SPRING, REGULATOR",1,,,,,,,,,,,,,,,,,,,,,
59,1,,119640-66051,, "HANDLE, REGULATOR",1,,,,,,,,,,,,,,,,,,,,,
60,1,,124550-66370,, "LOCK NUT M 6",1,,,,,,,,,,,,,,,,,,,,,
60-1,1,,26857-060002,, "NUT",1,,,,,S,,TN-01384,E/#84741,,,,,I
61,1,,119653-66500,, "ENGINE STOP DEVICE",1,,,,,,,,,,,,,,,,,,,,,
62,2,,119653-77950,, "SOLENOID, STOP",1,,,,,,,,,,,,,,,,,,,,,
63,2,,24341-000280,, "O-RING 1A S-28.0",1,,,,,,,,,,,,,,,,,,,,,
65,2,,26106-060952,, "BOLT M 6X 95 PLATED",1,,,,,,,,,,,,,,,,,,,,,
65-1,2,,119620-01530,, "SOLENOID, BOLT",1,,,,,N,,TN-01328,E/#84741,,,,,I
66,1,,129155-61470,, "BOLT, FUEL CONTROL",1,,,,,,,,,,,,,,,,,,,,,
66-1,1,,120323-61470,, "BOLT, CONTROL",1,,,,,N,,TN-01257,E/#84321,,,,,I
67,1,,119610-66700,, "ANGLEICH ASSY",1,,,,,,,,,,,,,,,,,,,,,
70,2,,129155-61590,, "NUT",1,,,,,,,,,,,,,,,,,,,,,
91,1,,121575-66830,, "SCREW, ADJUST",1,,,,,,,,,,,,,,,,,,,,,
92,1,,119600-66840,, "NUT, CAP",1,,,,,,,,,,,,,,,,,,,,,
92-1,1,,119285-66600,, "CAPNUT M6",1,,,,,S,,TN-01384,E/#84741,,,,,I
93,1,,119656-66910,, "HOOK",1,,,,,,,,,,,,,,,,,,,,,
94,1,,22190-060003,, "SEAL WASER 6",2,,,,,,,,,,,,,,,,,,,,,
94-1,1,,22190-060003,, "SEAL WASER 6",1,,,,,K,,TN-01384,E/#84741,,,,,I
95,1,,22190-120002,, "SEAL WASHER 12",2,,,,,,,,,,,,,,,,,,,,,
96,1,,22360-040000,, "SNAP PIN 4",1,,,,,,,,,,,,,,,,,,,,,
97,1,,22360-060000,, "SNAP PIN 6",1,,,,,,,,,,,,,,,,,,,,,
98,1,,194990-22050,, "NUT W/WASHER 8",1,,,,,,,,,,,,,,,,,,,,,
99,1,,26106-060702,, "BOLT M 6X 70 PLATED",5,,,,,,,,,,,,,,,,,,,,,
100,1,,26116-050102,, "BOLT M 5X 10 PLATED",3,,,,,,,,,,,,,,,,,,,,,
101,1,,26116-060304,, "BOLT M 6X 30 PLATED",1,,,,,,,,,,,,,,,,,,,,,
102,1,,26756-060002,, "LOCK NUT 6",1,,,,,,,,,,,,,,,,,,,,,
103,1,,26776-120002,, "LOCK NUT M12 PLATED",1,,,,,,,,,,,,,,,,,,,,,

103-1,1,,26736-120002,, "NUT M12",1,,,,,N,,TN-01057,E/#83869,,,,,,I
104,1,,124250-03640,, "SCREW, STOP",1,,,,,,
105,1,,135210-61090,, LEAD,1,,,,,Z,,TN-01384,E/#84741,,,,,,I
106,1,,22451-060000,, "WIRE 0.6",1,,,,,Z,,TN-01384,E/#84741,,,,,,I
107,1,,119285-66620,, "GASKET M6",1,,,,,W,,TN-01384,E/#84741,,,,,,I
108,1,,129209-61940,, "CASE ASSY",1,,,,,W,,TN-01384,E/#84741,,,,,,I
110,2,,24311-000150,, "O-RING 1A P-15.0",1,,,,,W,,TN-01384,E/#84741,,,,,,I
112,1,,119285-66650,, "CAP, HIGH-IDLE",1,,,,,W,2,* ,EXXX,,,,,,I
113,1,,129209-61970,, PLATE,1,,,,,W,,TN-01402,E/#84741,,,,,,I
114,1,,23414-120016,, "GASKET 12",1,,,,,W,,TN-01402,E/#84741,,,,,,I

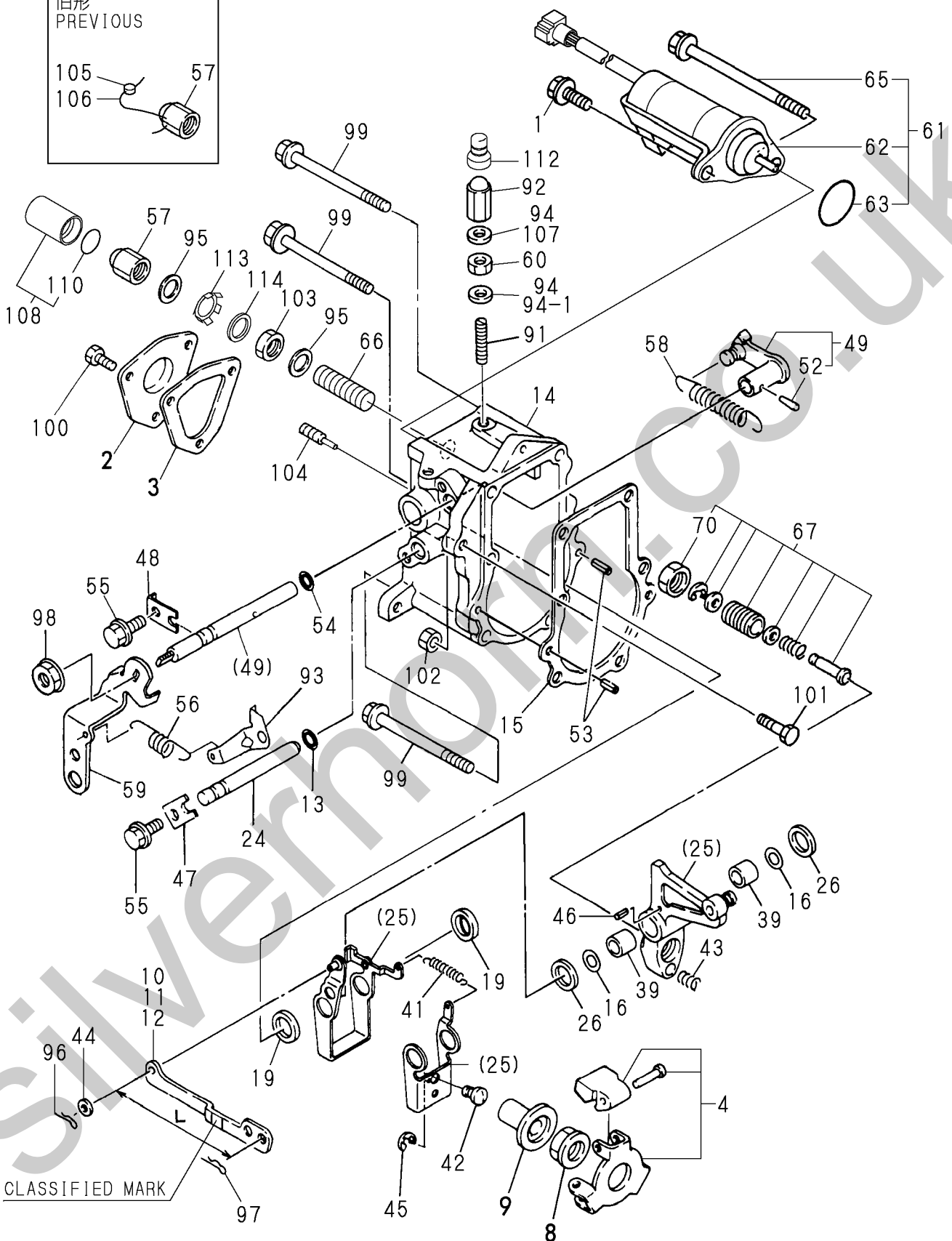
Silverhorn.CO.UK

Fig. 12 GOVERNOR

旧形
PREVIOUS



105 57
106



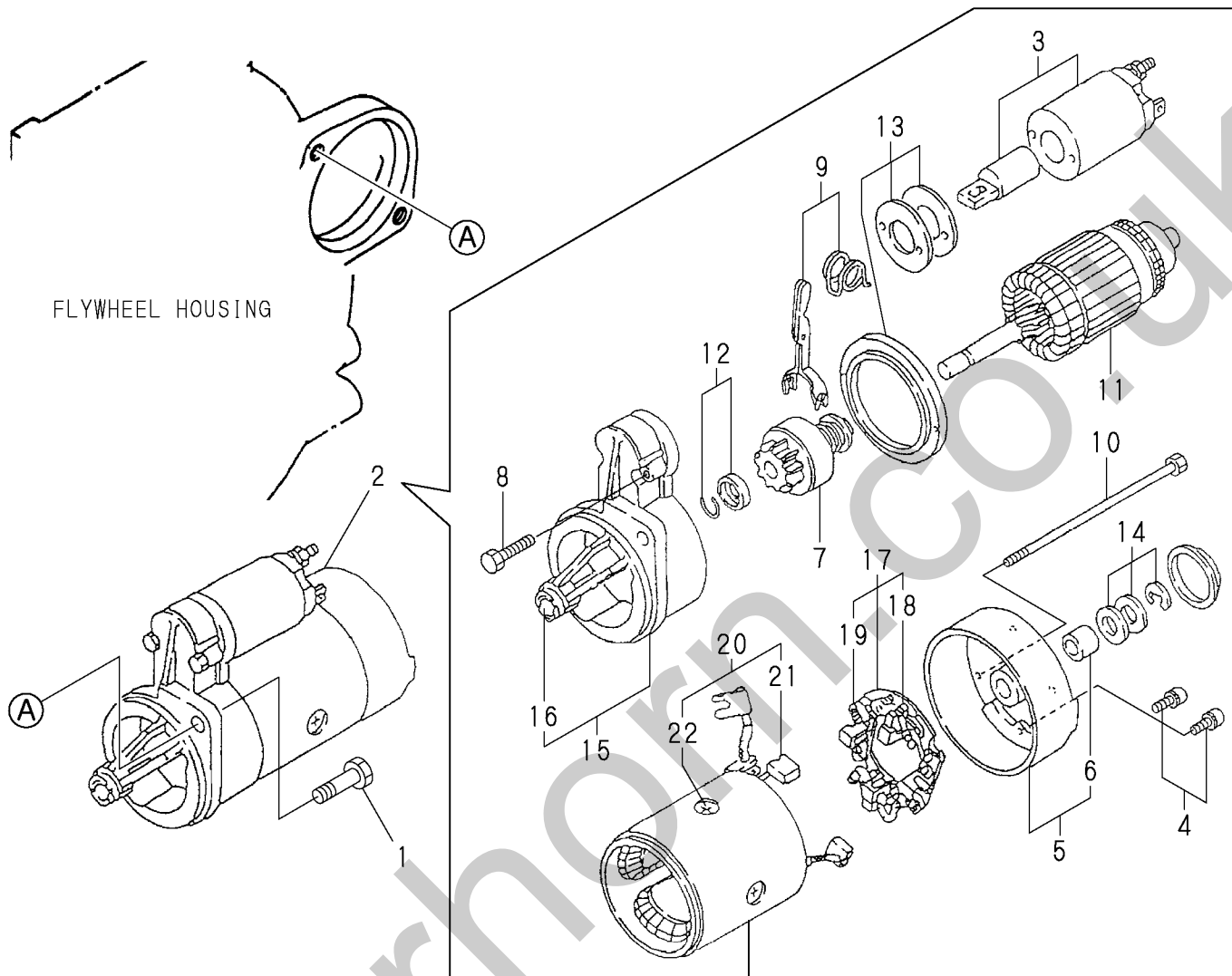
CLASSIFIED MARK

25 inc. (25) ~ 46

1,1,,26106-100252,, "BOLT M10X 25 PLATED",2,,,,,,,,,,,,,,,,,,,,,
2,1,,119225-77011,, STARTER,1,,,,,,,,,,,,,,,,,,,,,
3,2,,X2114275070,, "SWITCH, MAGNETIC",1,,,,,,,,,,,,,,,,,,,,,
4,2,,X2114283500,, "SCREW SET",1,,,,,,,,,,,,,,,,,,,,,
5,2,,X2114430010,, "COVER ASSY, REAR",1,,,,,,,,,,,,,,,,,,,,,
6,3,,X2114535200,, "METAL, STARTER",1,,,,,,,,,,,,,,,,,,,,,
7,2,,119226-77650,, "PINION ASSY",1,,,,,,,,,,,,,,,,,,,,,
8,2,,X2114586700,, "BOLT M6X 37",2,,,,,,,,,,,,,,,,,,,,,
9,2,,X2114660130,, "LEVER KIT, SHIFT",1,,,,,,,,,,,,,,,,,,,,,
10,2,,124195-77770,, "THROUGH BOLT",2,,,,,,,,,,,,,,,,,,,,,
11,2,,124190-77110,, "ARMATURE, (NON-ASB.)",1,,,,,,,,,,,,,,,,,,,,,
12,2,,X2114715500,, "STOPPER SET, PINION",1,,,,,,,,,,,,,,,,,,,,,
13,2,,X2114780060,, "COVER ASSY, DUST",1,,,,,,,,,,,,,,,,,,,,,
14,2,,X2114811000,, "WASHER KIT, THRUST",1,,,,,,,,,,,,,,,,,,,,,
15,2,,X2114866060,, "HOUSING, GEAR",1,,,,,,,,,,,,,,,,,,,,,
16,3,,X2114535200,, "METAL, STARTER",1,,,,,,,,,,,,,,,,,,,,,
17,2,,X2114990010,, "HOLDER ASSY, BRUSH",1,,,,,,,,,,,,,,,,,,,,,
18,3,,X2114831300,, "BRUSH (-)",2,,,,,,,,,,,,,,,,,,,,,
19,3,,X2114931400,, "SPRING, BRUSH",4,,,,,,,,,,,,,,,,,,,,,
20,2,,X2114921040,, "COIL ASSY, FIELD",1,,,,,,,,,,,,,,,,,,,,,
21,3,,X2114531200,, "BRUSH (+)",2,,,,,,,,,,,,,,,,,,,,,
22,3,,X2114821500,, "SCREW SET",4,,,,,,,,,,,,,,,,,,,,,

Silverhorn.CO.UK

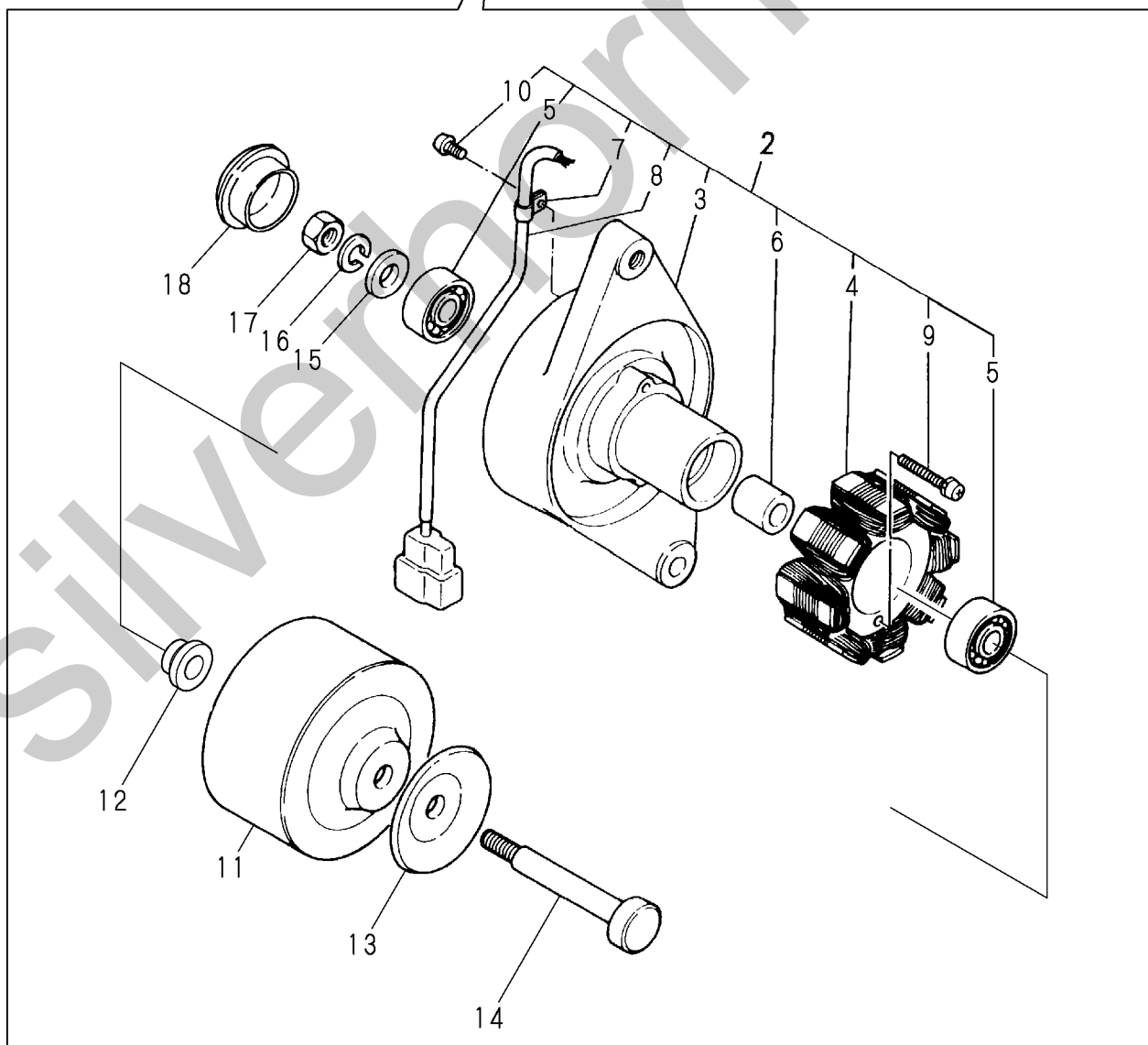
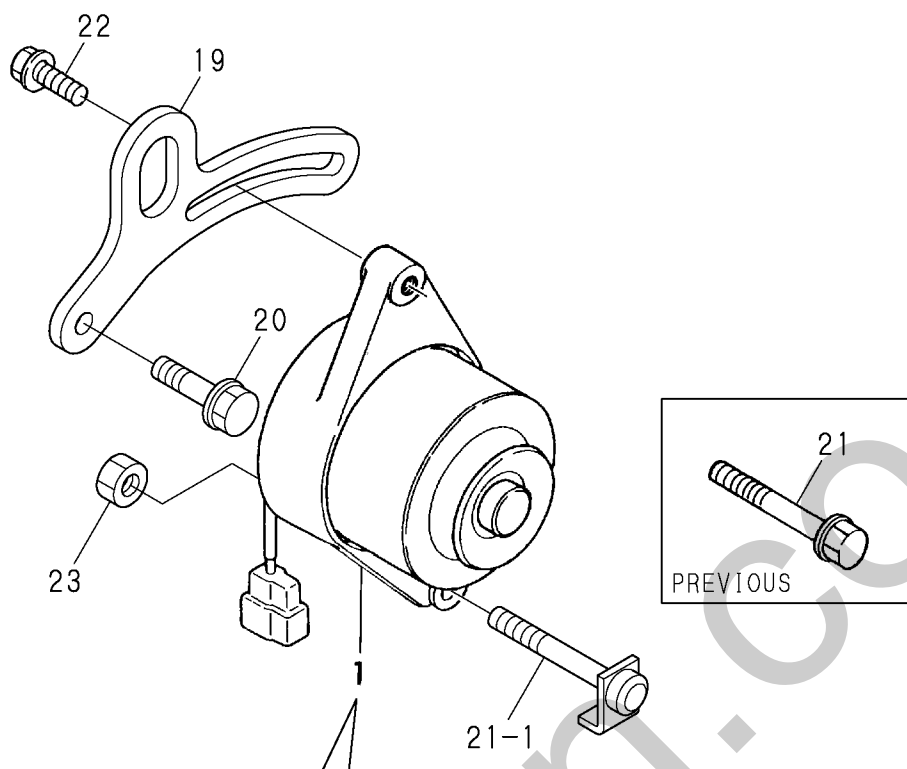
Fig. **13** STARTING MOTOR



1,1,,119663-77200,,GENERATOR,1,,,,,,,,,,,,,
2,2,,XM183780000,,,"PLATE ASSY",1,,,,,,,,,,,,,
3,3,,X2A07071KA,,PLATE,1,,,,,,,,,,,,,
4,3,,X4A07023KC,,STATOR,1,,,,,,,,,,,,,
5,3,,XM274360000,,,"BEARING 6201ZZC3",2,,,,,,,,,,,,,
6,3,,XM329830000,,COLLAR,1,,,,,,,,,,,,,
7,3,,XM069000000,,CLAMP,1,,,,,,,,,,,,,
8,3,,XM178780000,,COUPLER,1,,,,,,,,,,,,,
9,3,,XYSPTS402400,,SCREW,2,,,,,,,,,,,,,
10,3,,XYSPTS400800,,SCREW,1,,,,,,,,,,,,,
11,2,,X3A08344KB,,FLYWHEEL,1,,,,,,,,,,,,,
12,2,,X4A04060K01,,COLLAR,1,,,,,,,,,,,,,
13,2,,XM721740000,,PULLEY,1,,,,,,,,,,,,,
14,2,,X4A07130K01,,SHAFT,1,,,,,,,,,,,,,
15,2,,XM860250000,,,"WASHER 10",1,,,,,,,,,,,,,
16,2,,XM219230000,,,"WASHER, SPRING",1,,,,,,,,,,,,,
17,2,,XM863720000,,NUT,1,,,,,,,,,,,,,
18,2,,XM771870000,,CAP,1,,,,,,,,,,,,,
19,1,,119230-77330,,ADJUSTER,1,,,,,,,,,,,,,
20,1,,26106-080202,,,"BOLT M 8X 20 PLATED",1,,,,,,,,,,,,,
21,1,,119233-77251,,BOLT,1,,,,,,,,,,,,,
21-1,1,,119325-77250,,,"BOLT M 8X 56",1,,,,,N,,TN-00312,E/#82713,,,,,,,,,,,,,I
22,1,,119810-77340,,BOLT,1,,,,,,,,,,,,,
23,1,,26366-080002,,,"NUT M 8",1,,,,,,,,,,,,,
23-1,1,,26306-080002,,NUT,1,,,,,N,,JH-01017,E/#83447,,,,,,,,,,,,,I



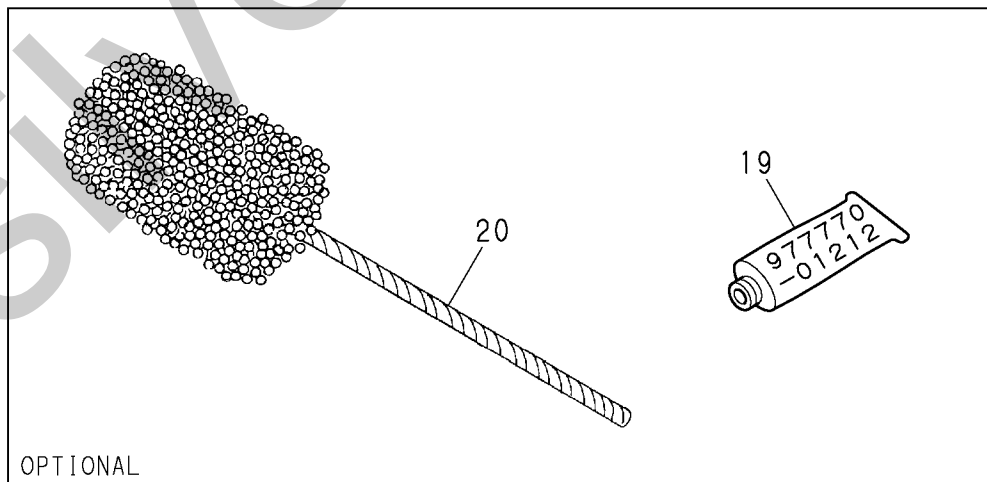
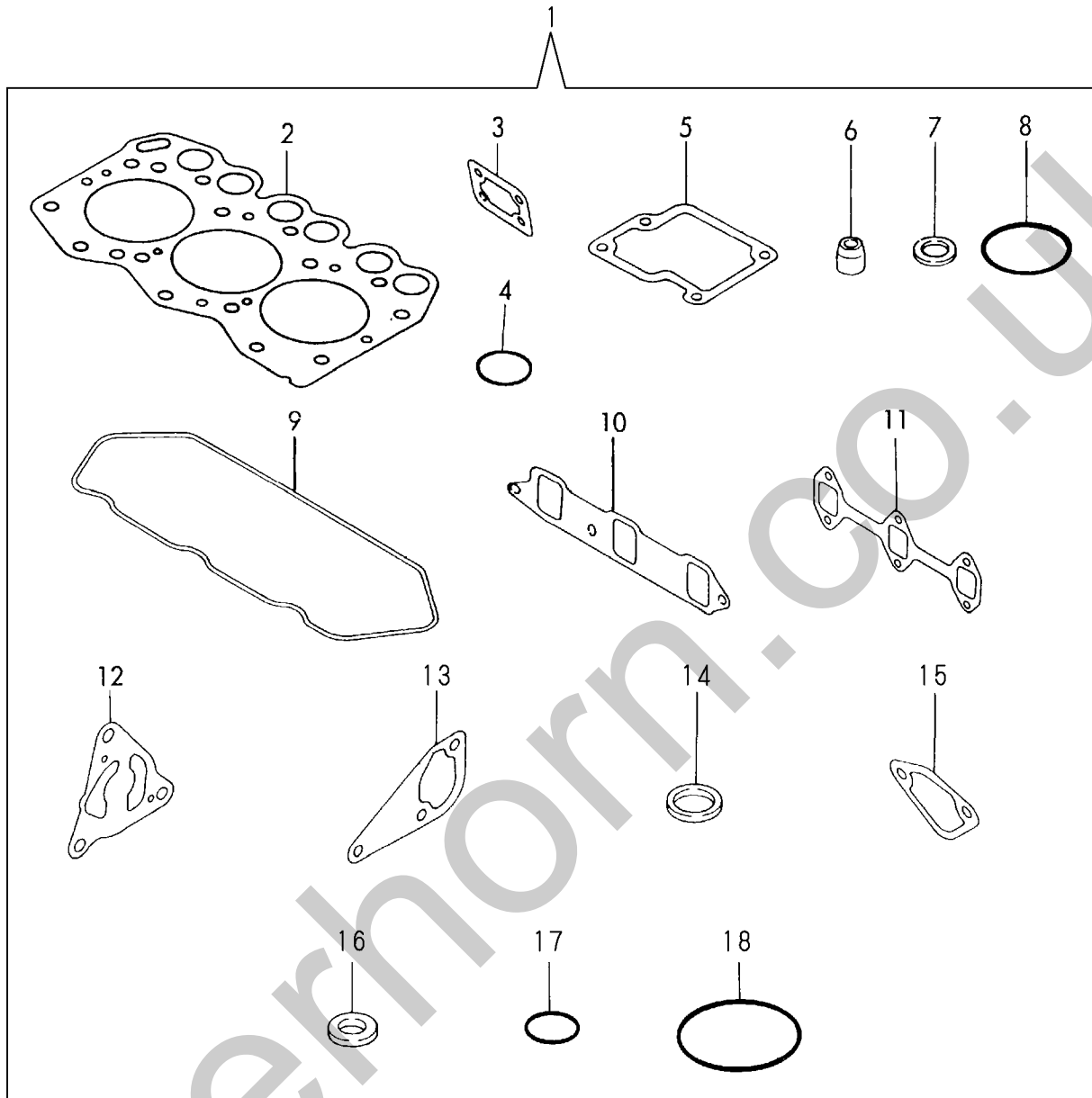
Fig. **14** GENERATOR



1,1,,719270-92620,, "GASKET SET",1,,,,,,,,,1,,,,,,,,,
2,2,,119225-01340,, "GASKET, (NON-ASB.)",1,,,,,,,,,
3,2,,119660-01562,, "GASKET, (NON-ASB.)",1,,,,,,,,,
4,2,,24311-000320,, "O-RING 1A P-32.0",2,,,,,,,,,
5,2,,119260-03031,, "GASKET, (NON-ASB.)",1,,,,,,,,,
6,2,,119260-11340,, "SEAL, VALVE STEM",6,,,,,,,,,
7,2,,119600-11460,, "GASKET, NOZZLE",6,,,,,,,,,
8,2,,24341-000240,, "O-RING 1A S-24.0",1,,,,,,,,,
9,2,,119260-11310,, "GASKET, BONNET",1,,,,,,,,,
10,2,,119270-12110,, "GASKET, SUC.MANIFOLD",1,,,,,,,,,
11,2,,119260-13110,, "GASKET, EXH.MANIFOLD",1,,,,,,,,,
12,2,,119660-32020,, "GASKET, L.O.PUMP",1,,,,,,,,,
13,2,,119260-42021,, "GASKET, C.W.",1,,,,,,,,,
14,2,,124465-44950,, "GASKET 16",1,,,,,,,,,
15,2,,121520-01851,, "GASKET, (NON-ASB.)",1,,,,,,,,,
16,2,,22190-120002,, "SEAL WASHER 12",2,,,,,,,,,
17,2,,24311-000120,, "O-RING 1A P 12.0",2,,,,,,,,,
18,2,,24321-000350,, "O-RING 1A G-35.0",1,,,,,,,,,
19,1,,977770-01212,, "GASKET, LIQUID",1,,,,,1,,,,,,,,,
20,1,,129400-92400,, "FLEX HORN",1,,,,,1,,,,,,,,,

Silverhorn.CO.UK

Fig. **15** GASKET SET (OPTIONAL) & TOOLS



OPTIONAL

0,Y00B6331
1,001,, "ENGINE SECTION 3TN66L-EUBA"
2,1,, "CYLINDER BLOCK",3TN66L-EUBA,,,
2,2,, "GEAR HOUSING",3TN66L-EUBA,,,
2,3,, "FLY.HOUSING & LUB.OIL SUMP",3TN66L-EUBA,,,
2,4,, "CYLINDER HEAD & BONNET",3TN66L-EUBA,,,
2,5,, "SUC.MANIFOLD & AIR CLEANER",3TN66L-EUBA,,,
2,6,, EXH.MANIFOLD,3TN66L-EUBA,,,
2,7,, "CAMSHAFT & DRIVING GEAR",3TN66L-EUBA,,,
2,8,, "CRANKSHAFT & PISTON",3TN66L-EUBA,,,
2,9,, "LUB.OIL SYSTEM",3TN66L-EUBA,,,
2,10,, "COOLING WATER SYSTEM",3TN66L-EUBA,,,
2,11,, "FUEL INJECTION DEVICE",3TN66L-EUBA,,,
2,12,, GOVERNOR,3TN66L-EUBA,,,
2,13,, "STARTING MOTOR",3TN66L-EUBA,,,
2,14,, GENERATOR,3TN66L-EUBA,,,
2,15,, "GASKET SET(OPTIONAL) & TOOLS",3TN66L-EUBA,,,

Silverhorn.CO.UK